



T M **TOW AND MOW** BY METALFORM

Mow 2.5 acres in half an hour.



Twin 1000

Twin 1270

Hort 1000

Hort 1270

Hort 1900

www.towandmow.com

PRODUCT CATALOGUE



MADE IN NEW ZEALAND BY METALFORM

About Metalform

All Tow and Mow products were designed and built in Dannevirke, New Zealand by Metalform (Dannevirke) Ltd.

Incorporated in April 1961, Metalform is a family owned company with the 3rd generation being one of the shareholders and directors. We employ over 100 staff and have offices in New Zealand, Australia, UK and the USA and market representation in the Europe, Japan and Chile.

Metalform's core business expertise is start to finish design and manufacturing of tech integrated products. Metalform are the leading company in New Zealand for innovation and manufacturing in the sheet metal industry and offer a turn-key solution in the arena of custom manufacturing.

Our capabilities include design, fabrication, painting, finishing and final assembly. The continual investment into manufacturing technology ensures that Metalform produces the highest quality products at competitive rates.





T M TOW AND MOW BY METALFORM

A trail mower/slasher that can be towed by an ATV or quad bike with no requirement for large machinery or tractors.

The Tow and Mow has been perfected over the past 20 years resulting in a robust and simple design which is now sold all across the world for small farms, municipalities and small block holders.



TOW AND MOW

The Twin 1000 & Twin 1270

Mow 2.5 acres
(1 hectare) in
just 35 minutes

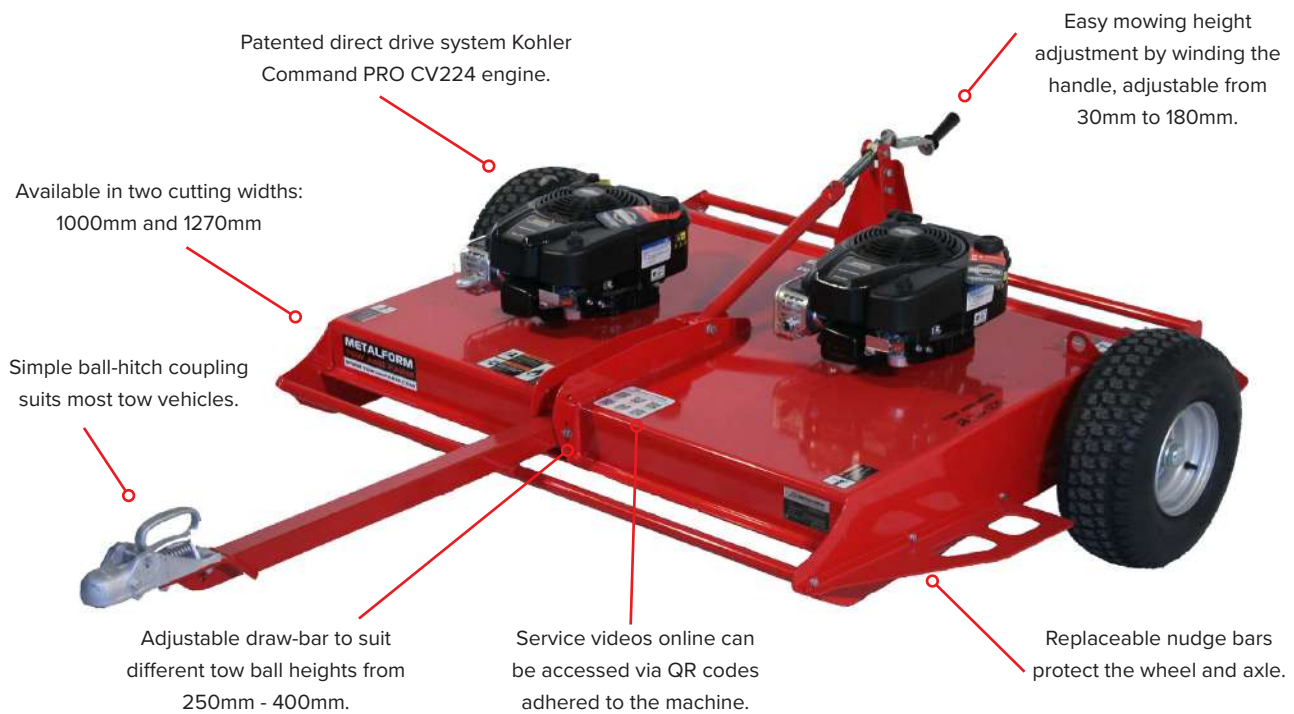
Simple, reliable and affordable tow behind mowers

The Tow and Mow series offers a simple, robust, affordable solution to tackling all of your mowing, without the need for a tractor. The Tow and Mow Twin features the wheels positioned on the side of the Tow and Mow deck where the Hort Series has them positioned behind for up to fence/tree mowing.

The Tow and Mow Twin series is more suitable for undulating, rough grounds and all-terrain topping. This is because the wheels are in line with the engines which reduce potential ground scalping when cutting low, as the blades follow the ground terrain as much as possible.

Our patented bearing system supports the direct drive engine and protects it from any shocks resulting from sudden stops, meaning there's no loss of power or slippage that can occur with typical belt and pulley systems.

Mow your paddocks at up to 15 km/hr (9 mph) with the Tow and Mow – this means you can cover up to 1 hectare (2.5 acres) in just 35 minutes with the 1270 model.



Engine Specs

Model	Cut Width	Model	Power	Cutting Height Adjustment	Jockey Wheel
Twin 1000	1000mm (40 inches)	Kohler Command PRO CV224	224cc / 8hp* x 2	30mm - 180mm (1.25" - 7")	Optional
Twin 1270	1270mm (50 inches)	Kohler Command PRO CV224	224cc / 8hp* x 2	30mm - 180mm (1.25" - 7")	Optional
Hort 1000	1000mm (40 inches)	Kohler Command PRO CV224	224cc / 8hp* x 2	20mm - 180mm (1" - 7")	Yes
Hort 1270	1270mm (50 inches)	Kohler Command PRO CV224	224cc / 8hp* x 2	20mm - 180mm (1" - 7")	Yes
Hort 1900	1900mm (75 inches)	Kohler Command PRO CV224	224cc / 8hp* x 3	20mm - 180mm (1" - 7")	Yes

*Approximate figure only

Built strong, easy to use, and will stand the test of time.

Direct Drive Engines

Rather than one engine that has substantial power loss through a clutch, belt and pulley system, the Tow and Mow has a patented, direct-drive system that protects any loads resulting from sudden stops or obstructions.

Height Adjustment

Easily adjust the cutting height from 30mm (1.25") up to 180mm (7") by simply winding a handle at the rear of the machine. No locking pins or heavy adjustment required.

Build Quality

Designed and manufactured in New Zealand for the toughest conditions, construction is 4mm thick (6 gauge) high grade steel which is zinc sprayed and then powdercoated.

Options



Jockey Wheel

Make storage and the attachment process easy with a retro-fit jockey wheel that will make manoeuvrability painless.



Offset Drawbar

Offset your Tow and Mow by 350mm (≈1 foot) with the offset drawbar.



Tow with an
ATV or Quad
Bike



No belts, or
pulleys - direct
drive



All-terrain
mowing is now
easy

Start	Dimensions/Size (L x W x H)		Weight		Tow Hitch
	Assembled	Shipping / Crated	Assembled	Crated	
Recoil - Pull	2.0x1.4x0.6m (6'9"x4'8"x2')	1.23x1.53x0.75m (4'x5'x2'6")	140kg (310lbs)	185kg (410lbs)	50mm Coupling
Recoil - Pull	2.2x1.7x0.6m (7'5"x5'8"x2')	1.38x1.83x0.75m (4'6"x6'x2'6")	165kg (365lbs)	215kg (475lbs)	50mm Coupling
Recoil - Pull	2.5x1.1x0.6m (8'3"x3'5"x2')	1.06x1.57x0.75m (3'6"x5'2"x2'6")	155kg (340lbs)	200kg (440lbs)	50mm Coupling
Recoil - Pull	2.6x1.3x0.6m (8'7"x4'4"x2')	1.35x1.68x0.75m (4'5"x5'6"x2'6")	180kg (395lbs)	235kg (520lbs)	50mm Coupling
Recoil - Pull	2.6x2.0x0.6m (8'6"x6'6"x2')	1.4x1.98x0.75m (4'7"x6'6"x2'6")	235kg (520lbs)	300kg (660lbs)	50mm Coupling

TOW AND MOW

The Hort 1000 & Hort 1270

Mow 2.5 acres
(1 hectare) in
just 35 minutes

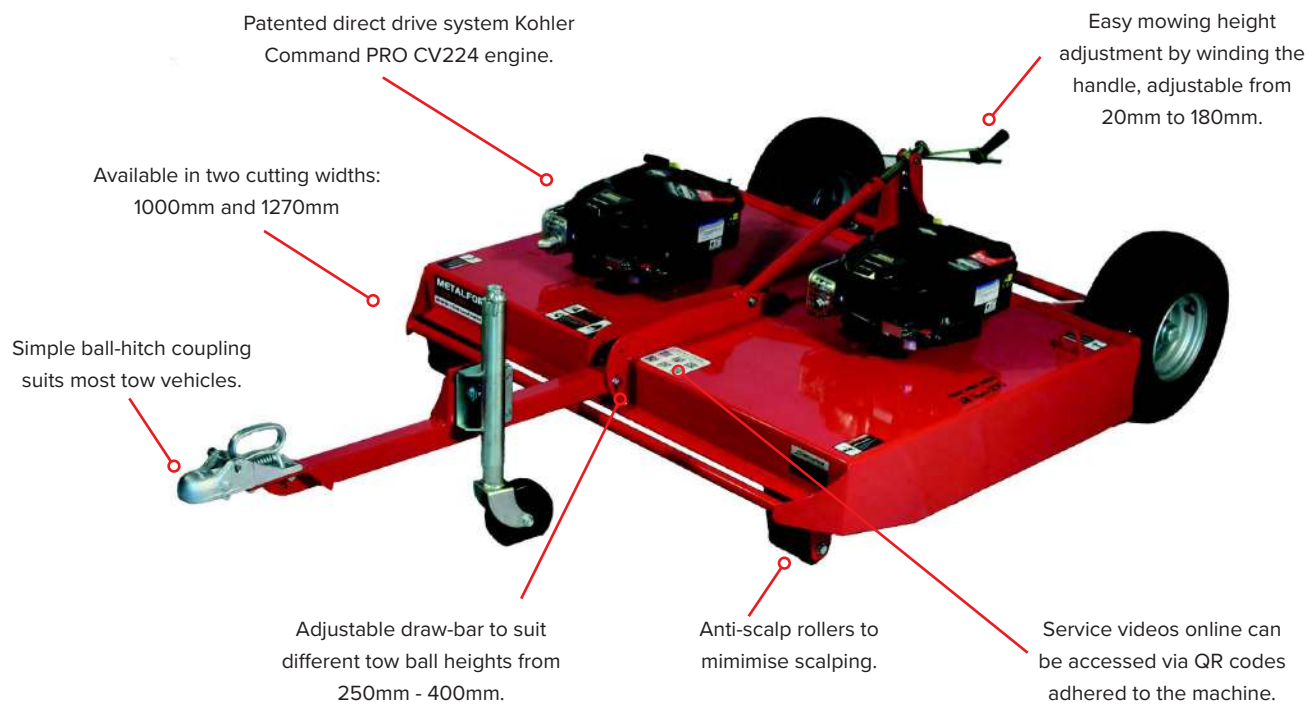
Down rows of trees or close to fences.

The Tow and Mow series offers a simple, robust, affordable solution to tackling all of your mowing, without the need for a tractor. The Hort Series features the wheels positioned behind the body of the Tow and Mow – where the Twin Series has them positioned beside for all-terrain mowing.

The Tow and Mow Hort series is more suitable for those wanting to cut close to fence lines, around trees and down rows, as the width of the mower is the full width of the cut.

Our patented bearing system supports the direct drive engine and protects it from any shocks resulting from sudden stops, meaning there's no loss of power or slippage that can occur with typical belt and pulley systems.

Mow your paddocks at up to 15 km/hr (9 mph) with the Tow and Mow – this means you can cover up to 1 hectare (2.5 acres) in just 35 minutes with the 1270 model.



Engine Specs

Model	Cut Width	Model	Power	Cutting Height Adjustment	Jockey Wheel
Twin 1000	1000mm (40 inches)	Kohler Command PRO CV224	224cc / 8hp* x 2	30mm - 180mm (1.25" - 7")	Optional
Twin 1270	1270mm (50 inches)	Kohler Command PRO CV224	224cc / 8hp* x 2	30mm - 180mm (1.25" - 7")	Optional
Hort 1000	1000mm (40 inches)	Kohler Command PRO CV224	224cc / 8hp* x 2	20mm - 180mm (1" - 7")	Yes
Hort 1270	1270mm (50 inches)	Kohler Command PRO CV224	224cc / 8hp* x 2	20mm - 180mm (1" - 7")	Yes
Hort 1900	1900mm (75 inches)	Kohler Command PRO CV224	224cc / 8hp* x 2	20mm - 180mm (1" - 7")	Yes

*Approximate figure only

Built strong, easy to use, and will stand the test of time.

Direct Drive Engines

Rather than one engine that has substantial power loss through a clutch, belt and pulley system, the Tow and Mow has a patented, direct-drive system that protects any loads resulting from sudden stops or obstructions.

Height Adjustment

Easily adjust the cutting height from 30mm (1.25") up to 180mm (7") by simply winding a handle at the rear of the machine. No locking pins or heavy adjustment required.

Build Quality

Designed and manufactured in New Zealand for the toughest conditions, construction is 4mm thick (6 gauge) high grade steel which is zinc sprayed and then powdercoated.

Options



Offset Drawbar

Offset your Tow and Mow by 350mm (≈1 foot) with the offset drawbar.



Mow close to fence lines or tress



No belts, or pulleys - direct drive



Tow with an ATV or Quad Bike

Start	Dimensions/Size (L x W x H)		Weight		Tow Hitch
	Assembled	Shipping / Crated	Assembled	Crated	
Recoil - Pull	2.0x1.4x0.6m (6'9"x4'8"x2')	1.23x1.53x0.75m (4'x5'x2'6")	140kg (310lbs)	185kg (410lbs)	50mm Coupling
Recoil - Pull	2.2x1.7x0.6m (7'5"x5'8"x2')	1.38x1.83x0.75m (4'6"x6'x2'6")	165kg (365lbs)	215kg (475lbs)	50mm Coupling
Recoil - Pull	2.5x1.1x0.6m (8'3"x3'5"x2')	1.06x1.57x0.75m (3'6"x5'2"x2'6")	155kg (340lbs)	200kg (440lbs)	50mm Coupling
Recoil - Pull	2.6x1.3x0.6m (8'7"x4'4"x2')	1.35x1.68x0.75m (4'5"x5'6"x2'6")	180kg (395lbs)	235kg (520lbs)	50mm Coupling
Recoil - Pull	2.6x2.0x0.6m (8'6"x6'6"x2')	1.4x1.98x0.75m (4'7"x6'6"x2'6")	235kg (520lbs)	300kg (660lbs)	50mm Coupling

TOW AND MOW

Hort 1900

Mow 2.5 acres
(1 hectare) in
just 25 minutes

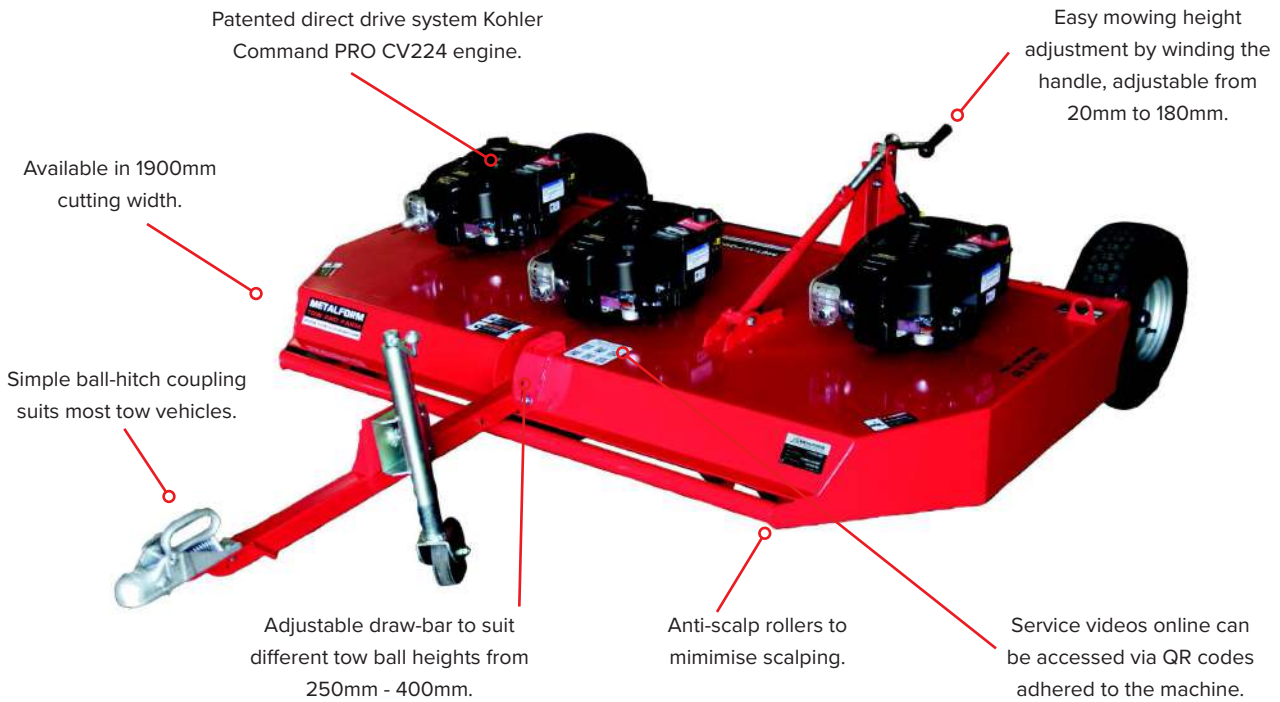
The perfect solution for parks, reserves, orchards and vineyards.

The Tow and Mow Hort 1900 is an affordable solution for a 6 foot cutting deck, without the need for a tractor. It features the wheels positioned behind the body of the Tow and Mow which means you can track down the row of crops or vines without the wheels prone to hitting trees, vines or posts.

Due to the Hort 1900 having such a wide cutting deck, the Hort 1900 is suited for large flat areas like parks, reserves, or mowing down rows as the width of the mower is the full width of the cut.

Our patented bearing system supports the direct drive engine and protects it from any shocks resulting from sudden stops, meaning there's no loss of power or slippage that can occur with typical belt and pulley systems.

Mow at up to 15 km/hr (9 mph) with the Tow and Mow – this means you can cover up to 2.5 acres (1 hectare) in just 25 minutes! with this big 6 foot cutting deck!



Engine Specs

Model	Cut Width	Model	Power	Cutting Height Adjustment	Jockey Wheel
Twin 1000	1000mm (40 inches)	Kohler Command PRO CV224	224cc / 8hp* x 3	30mm - 180mm (1.25" - 7")	Optional
Twin 1270	1270mm (50 inches)	Kohler Command PRO CV224	224cc / 8hp* x 3	30mm - 180mm (1.25" - 7")	Optional
Hort 1000	1000mm (40 inches)	Kohler Command PRO CV224	224cc / 8hp* x 3	20mm - 180mm (1" - 7")	Yes
Hort 1270	1270mm (50 inches)	Kohler Command PRO CV224	224cc / 8hp* x 3	20mm - 180mm (1" - 7")	Yes
Hort 1900	1900mm (75 inches)	Kohler Command PRO CV224	224cc / 8hp* x 3	20mm - 180mm (1" - 7")	Yes

*Approximate figure only

Built strong, easy to use, and will stand the test of time.

6 Foot Cut Width

Great value for cut width vs. cost! The Hort 1900 is suited for large flat areas due to its wide deck, or between rows of trees or vines.

Direct Drive Engines

Rather than 1 engine that has substantial power loss through a clutch, belt and pulley system, the Tow and Mow has a patented, direct-drive system that protects any loads resulting from sudden stops or obstructions.

Height Adjustment

Easily adjust the cutting height from 20mm (1") up to 180mm (7") by simply winding a handle at the rear of the machine. No locking pins or heavy adjustment required.

Build Quality

Designed and manufactured in New Zealand for the toughest conditions, construction is 4mm thick (6 gauge) high grade steel which is zinc sprayed and then powdercoated.

Options



Offset Drawbar

Offset your Tow and Mow by 350mm (~1 foot) with the offset drawbar.



Start	Dimensions/Size (L x W x H)		Weight		Tow Hitch
	Assembled	Shipping / Crated	Assembled	Crated	
Recoil - Pull	2.0x1.4x0.6m (6'9"x4'8"x2')	1.23x1.53x0.75m (4'x5'x2'6")	140kg (310lbs)	185kg (410lbs)	50mm Coupling
Recoil - Pull	2.2x1.7x0.6m (7'5"x5'8"x2')	1.38x1.83x0.75m (4'6"x6'x2'6")	165kg (365lbs)	215kg (475lbs)	50mm Coupling
Recoil - Pull	2.5x1.1x0.6m (8'3"x3'5"x2')	1.06x1.57x0.75m (3'6"x5'2"x2'6")	155kg (340lbs)	200kg (440lbs)	50mm Coupling
Recoil - Pull	2.6x1.3x0.6m (8'7"x4'4"x2')	1.35x1.68x0.75m (4'5"x5'6"x2'6")	180kg (395lbs)	235kg (520lbs)	50mm Coupling
Recoil - Pull	2.6x2.0x0.6m (8'6"x6'6"x2')	1.4x1.98x0.75m (4'7"x6'6"x2'6")	235kg (520lbs)	300kg (660lbs)	50mm Coupling

Freight and Warranty Information

Fast freight to your door nationwide.

We endeavour to carry stock and dispatch orders within 2 working days.

If by some chance we are out of stock of the ordered product, we will contact you within 1 working day and advise of expected delivery.

Warranty

We warrant the Metalform products against defects in materials and workmanship.

The term of this warranty is one year from date of purchase.

This is a parts only warranty. You are responsible for disassembling the defective part and reassembling the new part. We shall not be responsible or liable for the cost of field labour or other charges incurred by you in removing and/or reassembling any part.

This warranty is void in circumstances where:

- a. The Metalform product has been misused, abused, neglected or damaged;
- b. The Metalform product has been improperly assembled, repaired, serviced or maintained;
- c. The Metalform product has been modified;
- d. The Metalform product has been connected to other equipment with which it is not compatible; or
- e. The Metalform product has been used for purposes other than for which it was designed.

To make a warranty claim, contact us at the address below. Describe the problem to us. We will tell you what to do next.

If we need to inspect, test or repair the part that is the subject of your claim, it is your responsibility to ship the part to us at your cost. If we accept your warranty claim, we shall either repair or replace the defective part in our discretion. We shall then ship the part back to you at our cost.

If the Metalform product is off-warranty or otherwise not subject to a valid warranty claim, we will repair or replace the Metalform product, or part thereof, at your cost.

Our sole responsibility is to repair or replace a part that is subject to a valid warranty claim. Under no circumstance will we be liable for direct, indirect, incidental, special, or consequential costs or damages to the maximum extent permitted by law. The foregoing disclaimer extends to damages for personal injury, damages to other equipment, other property damage, whether suffered by you or by a third party. We accept no liability resulting from your failure to heed the assembly, use, maintenance and safety instructions in our Owner's Guide & User Manual.

This is an express warranty. We disclaim any other express or implied warranties, including warranties of merchant-ability or fitness for purpose, to the maximum extent permitted by law. Some jurisdictions do not allow limitations or disclaimers of implied or statutory warranties. Some jurisdictions do not allow disclaimers or exclusions of consequential or incidental damages. Therefore, the above disclaimers, limitations and exclusions may not apply in all jurisdictions in which we sell the Metalform products.

This warranty gives you specific legal rights. You may have other rights or remedies pursuant to the laws in your territory. Nothing in this limited warranty should be construed as limiting or restricting any other statutory right or remedy that is available to you, except for such limitations or restrictions herein as may be allowed by the law of the territory.

Engine Warranty's

The engine on a Metalform product comes with its own manufacturer's warranty as detailed below. See the manufacturers site for more details.

Metalform (Tow and Mow)

Kohler Command PRO CV224 - 3 year Worldwide Commercial Warranty

T M TOW AND MOW BY METALFORM

The robust, long lasting mowing solution for lifestyle blocks, hobby farms, and orchards.



HOBBY FARMS



ORCHARD VINEYARD



FIVE MODELS TO CHOOSE



2.5 ACRES IN 30 MINUTES



SOLID METALFORM CONSTRUCTION

Also manufactured by Metalform

T C TOW AND COLLECT BY METALFORM

Remove the manure from your pastures with the Tow and Collect - this minimises reinfestation of parasites causing an unnecessary worm burden on your animals. The Tow and Collect also removes thatch which lets light and moisture into your pastures. Enjoyed by thousands of customers worldwide, the Tow and Collect is the manure collection device of choice!



Visit the Tow and Collect website
www.towandcollect.com for more information





METALFORM

CONTACT US



New Zealand (Head Office)

Metalform
74 Miller Street
Dannevirke, 4930
New Zealand
P. +64 6 374 7043
E sales@towandmow.co.nz
www.towandmow.co.nz

North America

Tow and Farm, Inc
105 Kendall Park Lane S,
Atlanta, GA 30336
USA
P. +1 877 778 7181
E sales@towandmow.com
www.towandmow.com

Australia

Metalform
105-117 Boundary Road
Laverton North, VIC 3024
Australia
P. 1300 630 279
E sales@towandmow.com.au
www.towandmow.com.au

UK / Europe

Tow and Farm
Wood End, Prospect Road
New Farm Road Industrial Estate
Alresford Hampshire,
SO24 9QF, UK
P. +44 1962 600 030
E. sales@towandmow.co.uk
www.towandmow.co.uk